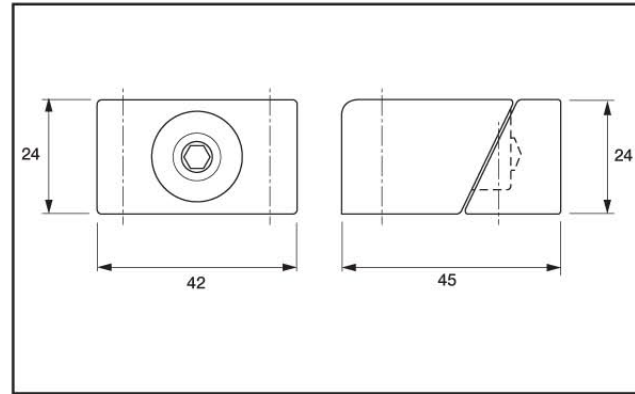


8K108 Window Lock



- Lock is surface fixed across the window sections and the case is locked to the lock plate using the key
- Suitable for timber sliding sash windows



Prod Code

V-8K108-2-WE
V-8K108K-2

Finish

White
-

Pack

2 in pack
Pack of 2 keys