

Concealed
cam-action
door closer system

DORMA ITS 96

Uncompromising technical sophistication

The DORMA ITS 96 has ushered in a new era in door closer technology. The closer body and slide channel are so compact that they can be installed out of sight in doors and their frames. These devices offer the same high quality expected of DORMA door closers, as characterised by their ease of operation for the user, and wide range of functions. Thanks to the exceptionally

slender dimensions of the unit, the DORMA ITS 96 can be installed in virtually all doors with thicknesses of 40 mm or more, and offers all the advantages of quality assured manufacture with third-party auditing.



Plus points

For the trade

- Low inventory costs and reduced stocking requirements thanks to streamlined modular system and separate packaging of closer body and slide channel assemblies.
- Tailor-made applications with special accessories.

For the installer

- Non-handed system.
- Can be incorporated within the door pre-fabrication process, allowing complete installation in the factory.
- Easy adjustment of the closing strength, closing speed and latch action after hanging of the doors.

For the specifier/architect

- Unblemished appearance of prestige doors thanks to concealed installation.
- Ideal for doors integral to the interior design.

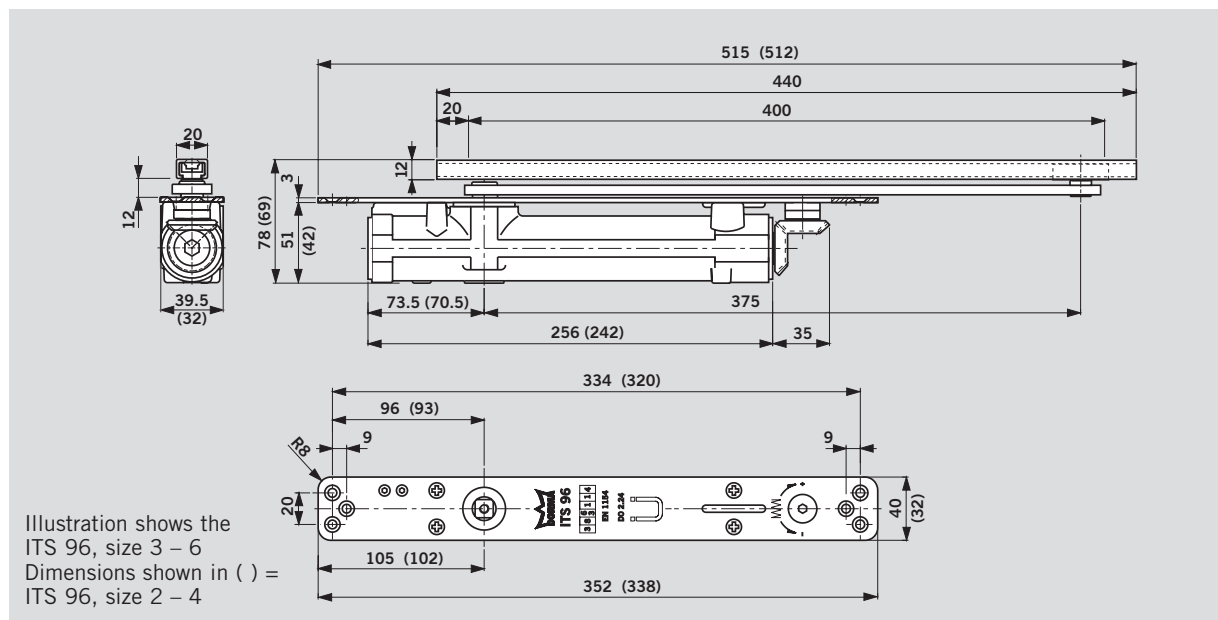
For the user

- Optimum protection against vandalism thanks to the concealed installation.
- Enhanced user convenience and fully controlled, reliable closing with adjustable latch action.
- Cushioned limit stay with progressive damping for protection of wall and door.

Data and features ITS 96

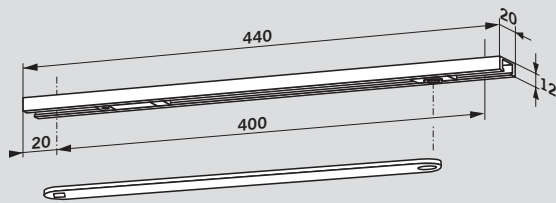
Data and features		ITS 96	
Variable closing force	Spring strength	EN 2-4	EN 3-6
Standard doors	up to 1100 mm up to 1400 mm	● -	● ●
External doors, outward opening		-	-
Fire and smoke check doors	up to 1100 mm up to 1400 mm	● -	● ●
Door leaf thickness	equal to/greater than 40 mm equal to/greater than 50 mm	● ●	- ●
Max. door leaf weight in kg		100	180
Non-handed design		●	●
Arm	Slide channel	●	●
Closing force variable by means of adjustable screw		●	●
Closing speed adjustable by means of valve		●	●
Latching speed adjustable by means of valve		●	●
Cushioned limit stay, mechanical		●	●
Delayed action		-	-
Hold-open		○	○
Max. door opening angle (depends on door design)		approx. 120°	
Weight in kg		1.3	2.5
Dimensions in mm	Length Width Height	277 32 42	291 39.5 51
Door closer tested to EN 1154		●	●

● Yes - No ○ Option

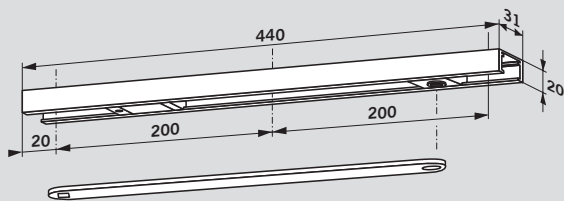


Slide channels

G 96 N20



G 96 N

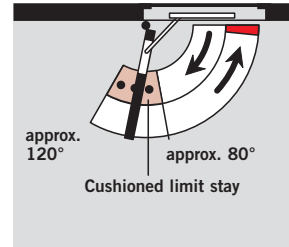


The **DORMA G 96 N20** resp. **G 96 N** slide channel pack includes the arm, slide channel, slide block, cushioned limit stay and fixing screws, and can be combined with both door closer sizes in the DORMA ITS 96 range. The slide channel is non-handed.

F Approval certification

The G 96 N20 and G 96 N slide channel is tested to EN 1154 A in conjunction with the DORMA ITS 96. Additionally, it has CERTIFIRE approval for use on timber FD30 and FD60 doors (code ITT), when installed with

the approved intumescent gasket set for FD30 or FD60 supplied by DORMA UK. The length, width and high of mortice for the slide channel must be increased by 2 mm to accommodate the gasket.

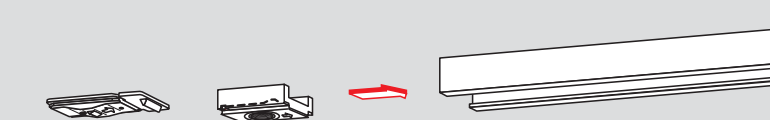


Hold-open units

RF G 96 N20



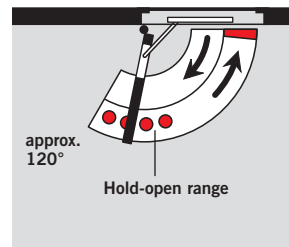
RF G 96 N

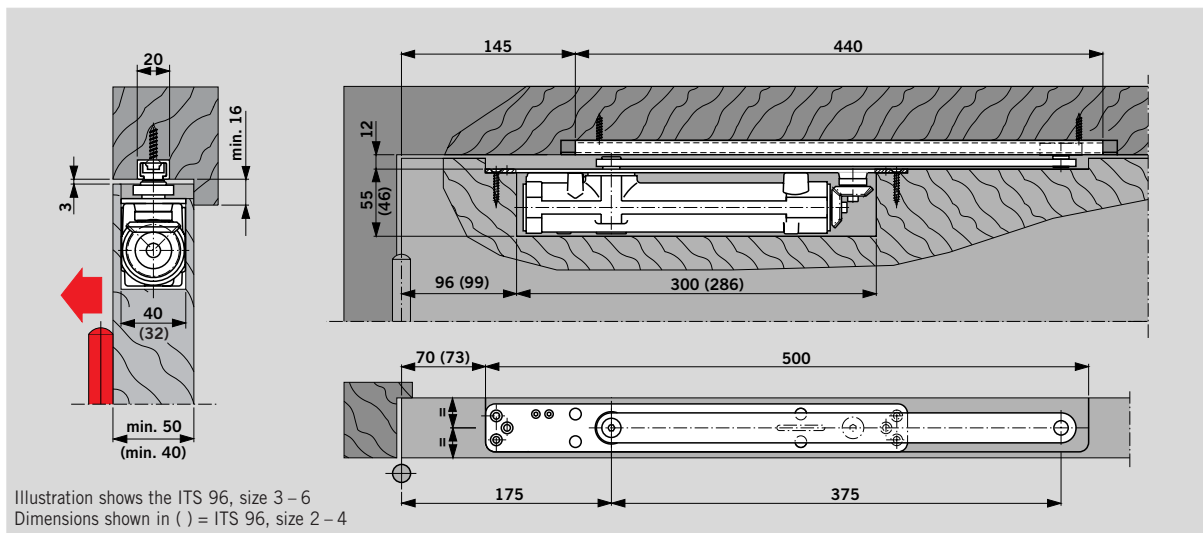


The **DORMA RF** hold-open unit enables doors to be securely held without any fall-back at precisely the required position up to an opening angle of approx. 120°. The hold-open function can be easily switched on and off by the user (only RF G 96 N), and the release force can be adjusted to the door type concerned.

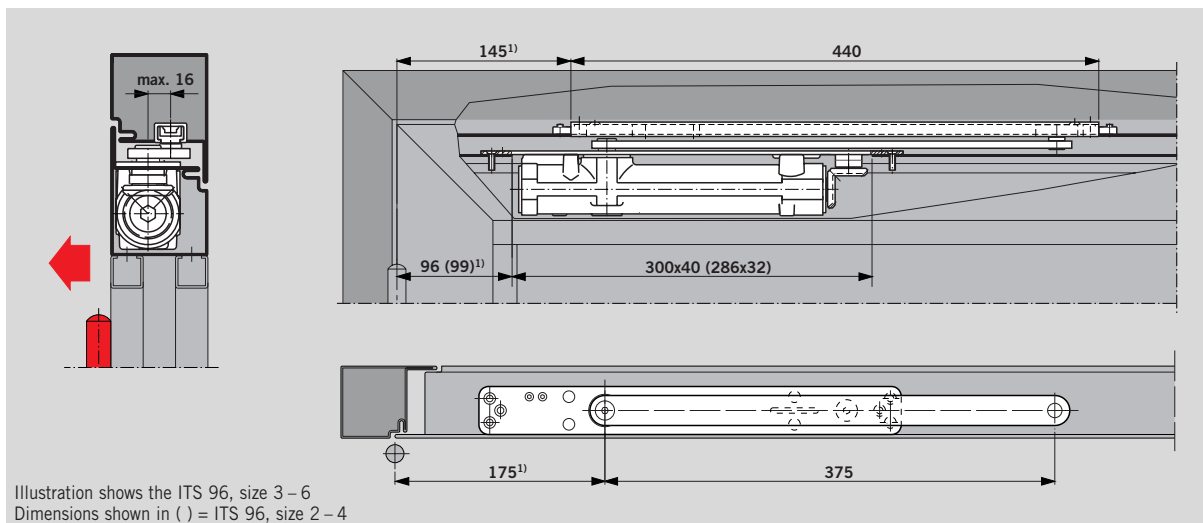
The DORMA RF mechanism is non-handed and has been specifically designed for retrofitting to the G 96 N slide channel.

Not for fire and smoke check doors.

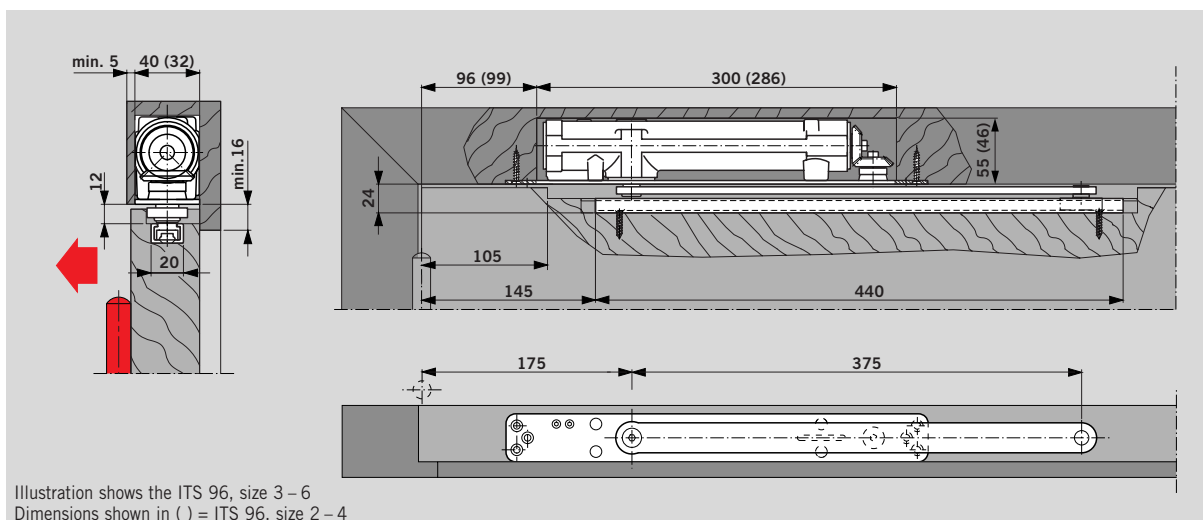




DORMA ITS 96 door closer with DORMA G 96 N20 slide channel in a **timber door**
Example: Anticlockwise-closing (ISO 6) door; mirror image applies to clockwise-closing (ISO 5) doors.



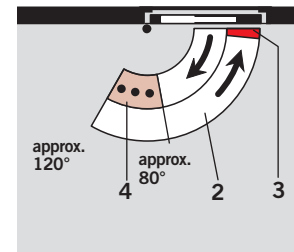
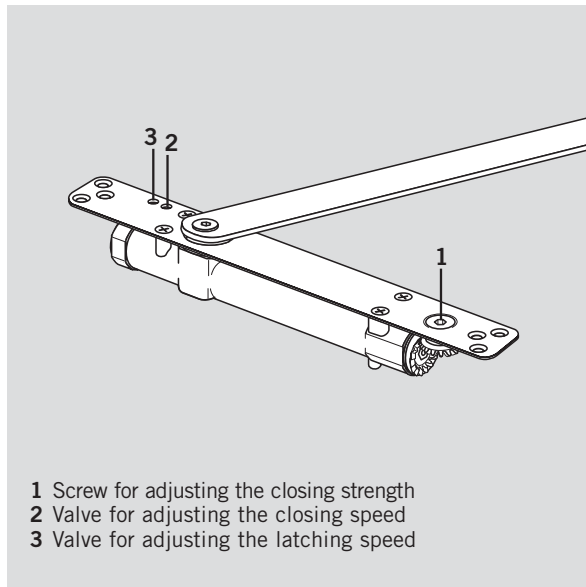
DORMA ITS 96 door closer with DORMA G 96 N20 slide channel in an **aluminium framed door**
Example: Anticlockwise-closing (ISO 6) door; mirror image applies to clockwise-closing (ISO 5) doors.
¹⁾ Add 25 mm for aluminium profile frames with corner-angle reinforcement.



DORMA ITS 96 door closer with DORMA G 96 N20 slide channel in a **timber door-transom fixing**
Example: Anticlockwise-closing (ISO 6) door; mirror image applies to clockwise-closing (ISO 5) doors.

Adjustment of settings

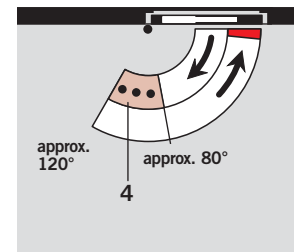
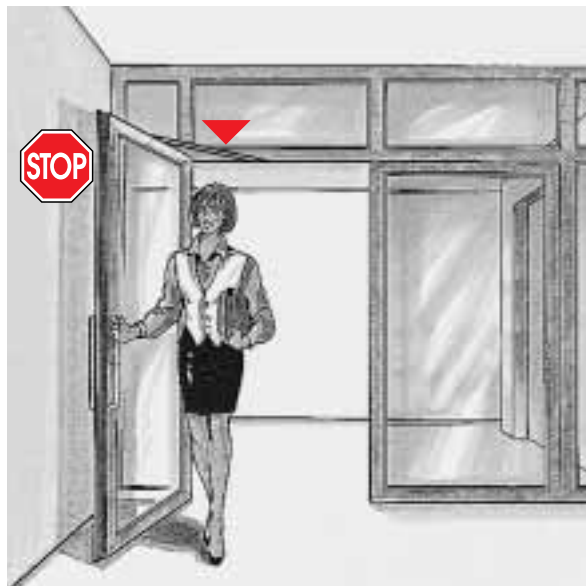
The functions of the DORMA ITS 96 can be individually adapted to the local conditions of each application. The closing strength can be easily varied in accordance with the door width via the adjustment screw accessible from the top. The closing speed and the latch action can likewise be modified at any time using adjustment screws at the top, even after the door has been hung.



- 2 Fully controlled closing with adjustable speed
- 3 Adjustable latch action
- 4 Cushioned limit stay

Cushioned limit stay

The integrated mechanically cushioned limit stay of the DORMA ITS 96 is progressively damped to protect the wall and doors from the damage arising from the door being opened too wide (under conditions of normal usage). It can be adjusted to an opening angle between approx. 80° and max. 120°. **The cushioned limit stay feature is not an overload protection device and in many cases cannot replace a doorstop.**



- 4 Cushioned limit stay

F Approval certification

The DORMA ITS 96 is approved by the State Material Testing Authority, Dortmund, in accordance with EN 1154 A. Additionally, the model size EN 2 – 4 and EN 3 – 6 has CERTIFIRE approval for use on timber FD30 and FD60 doors (code ITT), when installed with the approved intumescent gasket set for FD30 or FD60 supplied by DORMA UK. The length, width and height of mortice for the body and slide channel must be increased by 2 mm to accommodate the gasket.



Standard equipment and accessories

	<p>ITS 96</p> <p>EN 2 – 4 ■ 52430150</p> <p>EN 3 – 6 ■ 52290150</p>	<p>RF Hold-open open unit for G 96 N20</p> <p>52005600</p>	<p>RF Hold-open unit for G 96 N</p> <p>52003600</p>	<p>Fixings for G 96 N on timber doors</p> <p>52000105</p>	<p>Fixings for G 96 N on aluminium doors</p> <p>52000205</p>	<p>Fixings for G 96 N20 on aluminium doors</p> <p>52000405</p>
<p>G 96 N20</p> <p>□ 520039xx¹⁾</p>	■ □	#				#
<p>G 96 N</p> <p>□ 52000501</p>	■ □		#	#	#	
<p>Fixing plates for ITS 96</p> <p>52000300</p>	#					

- = Closer body separate
 - = Slide channel separate
 - # = Optional accessory
- Colour¹⁾**
- | | | |
|-----------------|----|----|
| silver | xx | 01 |
| Stainless steel | | |
| “Design” finish | | 17 |
| Polished brass | | 15 |
| special colour | | 09 |

¹⁾ only arm

Specification text

Cam-action door closer integrated in the door leaf or frame, tested to EN 1154 A, with rapidly decreasing opening torque/force. Closing strength, closing speed and latch action adjustable. Non-handed.

Size

- EN 2-4
- EN 3-6

Slide channel

- G 96 N20
- G 96 N

Accessories

- Fixing plates
- Hold-open unit
 - RF G 96 N20
 - RF G 96 N
- Fixings for G 96 _____

Make DORMA ITS 96

- ITS 96/2-4
- ITS 96/3-6

DORMA Door Controls Ltd.
DORMA Trading Park
Staffa Road
GB-London E10 7QX
Phone: +44 208/5 58 84 11
Fax: +44 208/5 58 61 22
E-mail:
hardware@dorma-uk.co.uk

DORMA Door Controls Ltd.
19, Sandyford Office Park
Foxrock
IRL-Dublin 18
Phone: +3531/2 95 82 80-82
Fax: +3531/2 95 85 84
E-mail:
dormadublin@dorma.com

DORMA Door Controls Pte. Ltd.
No. 2, Jalan Terusan
Jurong
Singapore 619285
Phone: +65 62 68/76 33
Fax: +65 62 65/79 95

DORMA Door Controls Pty. Ltd.
P.O. Box 1092
Narre Warren Vic 3805
52 Abbott Road
Hallam/Victoria 3803
Australia
Phone: +61 3/97 96 35 55
Fax: +61 3/97 96 39 55

DORMA Gulf Door Controls FZE
Jebel Ali Free Zone
Roundabout 8
Unit VC 02, P.O. Box 17268
Jebel Ali
Dubai, United Arab Emirates
Phone: +971 48/83 90 14
Fax: +971 48/83 90 15

DORMA Door Controls (Pty.) Ltd.
Kings Court
4A Mineral Crescent
ZA-2000 Crown/Gauteng
Johannesburg
Phone: +27 11/8 30 02 80
Fax: +27 11/8 30 02 91

DORMA GmbH + Co. KG
Division Door Control
Postfach 4009
D-58247 Ennepetal
Breckerfelder Straße 42-48
D-58256 Ennepetal
Tel. +49(0)23 33/7 93-0
Fax +49(0)23 33/79 34 95
www.dorma.com

