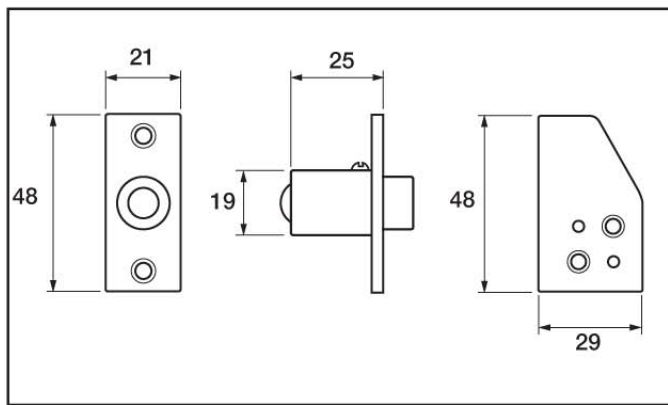
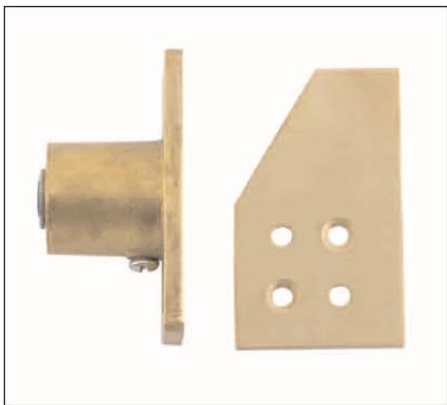




## WS1 Ventilation Lock



- A key operated bolt is morticed into the outer window frame which when locked out will prevent the inner window from opening
- Suitable for timber sliding sash windows



### Prod Code

V-WS1-GL  
V-WS1K-2

### Finish

Brass  
-

### Pack

1 in pack  
Pack of 2 keys