

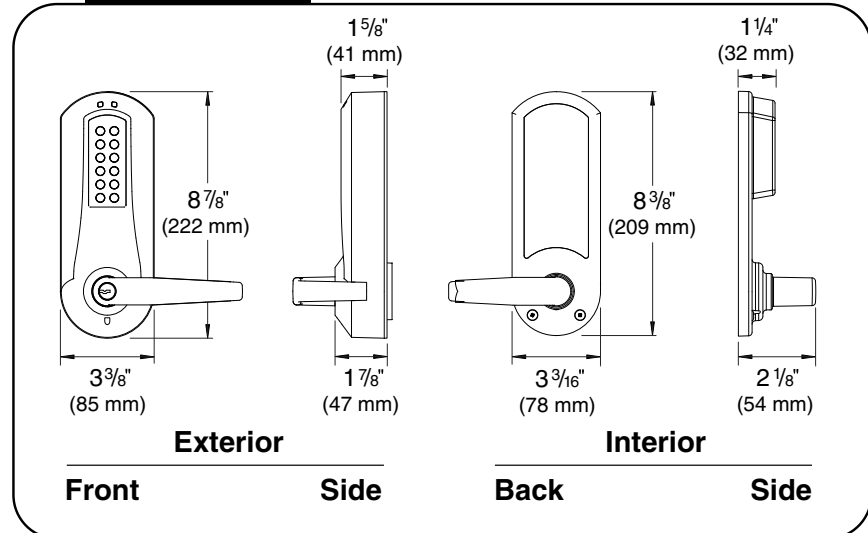
E-Plex™ 5000 SERIES

Electronic Access Control Systems

Lock Specification Sheet



Dimensions



Keyless Convenience, Powerful Electronic Access Control

The E-Plex 5000 Series combines the strength, simplicity and reliability of Simplex® mechanical pushbutton locks with the added security and features of electronic access control – it's never been easier to Power Up your access control.

Controls access with up to 100 Access Codes. Exterior access is by combination or key override, and egress is by interior lever and is free at all times.

Applications

The E-Plex 5000 is ideal for controlling access to security sensitive areas in commercial, industrial, educational, governmental, healthcare, lodging, and multi-unit residential settings. It's perfect for restricted areas with a high user turnover rate.

Features

- **Keyless convenience**
 - Eliminates problems and costs associated with issuing, controlling, and collecting keys and magnetic cards
- **Flexible operational modes**
 - Combination (PIN) entry
 - Passage (Programmable)
 - Lockout
- **Easy to manage**
 - User access programmed at the lock or managed with optional Microsoft Excel™ based software
 - Users quickly added and deleted
 - Optional software provides increased control as facility's users and access points increase
 - Five authority levels allow you to control users' access to various lock functions: Master, Manager, User, Service and Maintenance
- **Service level has authority to gain access once, or programmed for 1 to 24 hours - for service personnel, meeting rooms, and rental space**
- **Extensive audit trail for added security**
 - Lock records last 3,000 events for user accountability
 - Audit includes mechanical key override use
- **Flexible user preferences**
 - Adjustable anti-tamper lockout disables lock after 3 to 9 invalid entry attempts for up to 90 seconds
 - Adjustable relock time after combination entry from 2 to 20 seconds
 - Variable length access codes set from 4 to 8 digits

Mechanical

Construction: Extra heavy-duty Grade 1 lock; cylindrical lockset, solid cast housings; solid cast levers, cylindrical drive wear tested for extensive use in indoor and outdoor applications

Numeric keypad: Vandal resistant, 12 button, metal keys

Door handing: Non-handed, pre-assembled for left-hand door installations

Standard finishes:

Housing:

Satin Chrome 26D (626)
Black 19 (676)

Lever:

Satin Chrome 26D (626)

Optional finishes:

Duranodic 55 (695) housing - satin chrome lever
Lifetime Bright Brass 03 (605) housing & lever
Lifetime Satin Brass 04 (606) housing & lever

Strike: ASA and standard strike plate

Latches:

½" (13 mm) throw latch, floating face plate
¾" (19 mm) throw latch, beveled face plate

Key override: Universal key-in-lever cylinder or removable core formats:

Universal key-in-lever cylinder includes Kaba 1599 6-pin cylinder (Kaba 90 keyway, keyed different) and tailpieces for compatibility with:

Abloy 5277; Abloy 5477; Arrow C 100; ASSA 65611; ASSA 65691; Corbin Russwin 2000-03; Kaba

1539; Kaba 1599; Kaba Gemini 4730; Kaba Peaks 1099; Marks; Medeco 20W200H1; Sargent 10 Line; Schlage 23-001; Schlage Primus 20-760

Australian: Kaba experT 107K5 & Boyd KC286

Interchangeable Cores: Small format Best and compatibles (6 or 7-pin length)

Removable Cores: Schlage, Medeco, ASSA, Sargent, Yale (6 pin), and Corbin Russwin

Weight: 8 lbs. (3.63 kg)

Electronics

Batteries:

- (4) four AA Alkaline batteries - located in interior housing
- Battery life: up to 180,000 cycles
- Provides quick and easy battery replacements for institutions
- Lock data is retained if batteries fail

Indicators:

Audible and visual indicators
Low battery visual indicator

Installation

Door preparation: Easily installs on wood or metal doors. ASA 161 door preparation with two (2) additional through bore holes

No wiring: Fully contained electronics module is located in front housing – can be quickly replaced in the field. Installation requires no wiring through the door

Backset: 2¾" (70 mm) backset

Minimum stile requirement: 5" (127 mm)

Door thickness: 1 ⅝" (35 mm) to 2 ¼" (57 mm). Pre-assembled to accommodate doors 1 ⅝" (41 mm) to 2" (51 mm). Hardware kits included for thin & thick doors

Certifications and Testing

Accessibility standard:

Americans with Disabilities Act (ADA)

Fire rating: Three-hour UL/ULC Fire Door Rating

Durability: ANSI/BHMA Grade 1 Compliant

Environmental: Indoor/Outdoor

Front housing: -31°F (-35°C) to +151°F (66°C)

Rear housing: -4°F (-20°C) to +130°F (55°C)

Items supplied with lock:

Complete lock, latch, ASA and standard strikes, Installation Manual, Operations Manual, Template, and required hardware

Additional items supplied with Key-In-Lever Cylinder model only:

Universal Kaba 1599 6-pin cylinder with tailpiece, four additional tailpieces, two nickel silver keys, spare cylinder retainer

Warranty: Three-year Built-in warranty counter



Tel.: 1-800-849-8324
www.kaba-ilco.com