

# Rim Locks - Lever

## Lever Rim Lock

# 1445

### Application:

- For timber doors up to 50mm thick, hinged on the left or right opening inwards only
- Also suitable for steel and composite doors - special fixings required

### Operation:

- The deadbolt is locked or unlocked by key from either side
- The latch bolt is withdrawn by knob from either side

### Specification:

Reference	1445
Backset	51mm
Case & Keep	Steel, black enamel finish
Deadbolt	Brass
Latch Bolt	Brass, reversible
Locking Mechanism	Nib ward and tumbler
Keying	Not available master keyed. May be keyed alike with 1116 and 1448 locks. 2 steel nickel plated keys
Key Blank Number	KB150 - spare cut keys RF series (numbers range from R4F to R13F)



### Finishes:

- BJ - Black Japanned finish and PL - Polished Lacquered Brass (Boxed)
- CG - Champagne Gold and PL - Polished Lacquered Brass (Visi Packed)

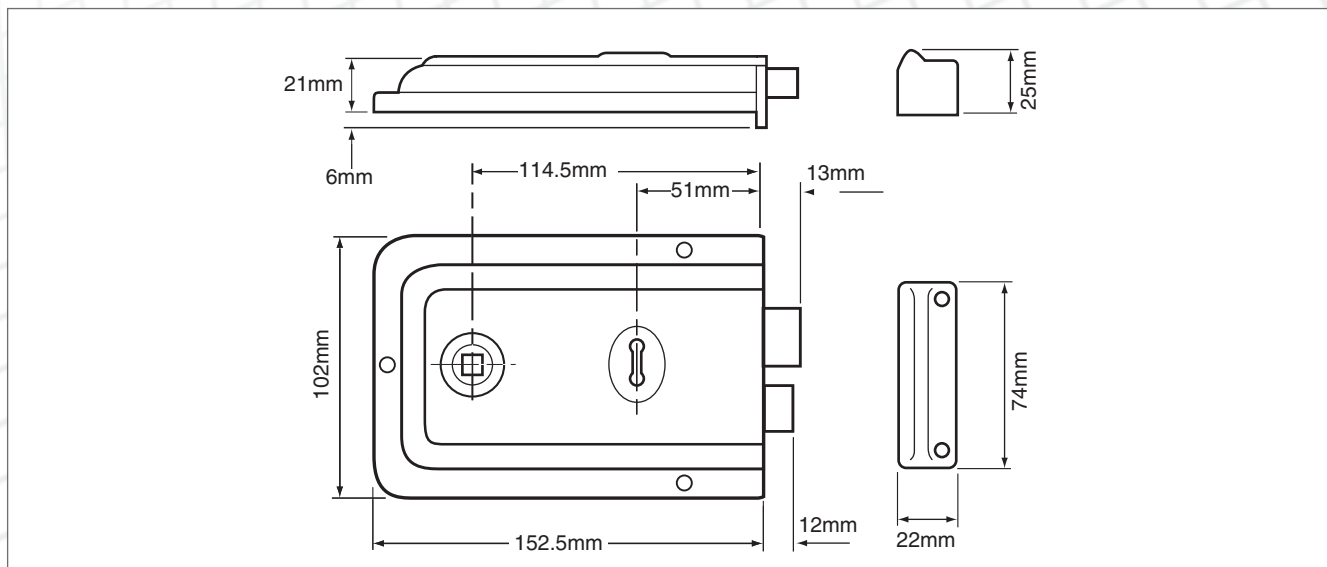
### Standards:



### Ordering Code Example:

J 1445 - BJ  
(Boxed - Product Code - Finish)

Y 1445 - CG  
(Visi Packed - Product Code - Finish)



1E Rim Locks - Lever