

3 Lever Horizontal Bathroom Lock

2026

Application:

- For timber doors hinged on the left or right and requiring turn and emergency release functions

Operation:

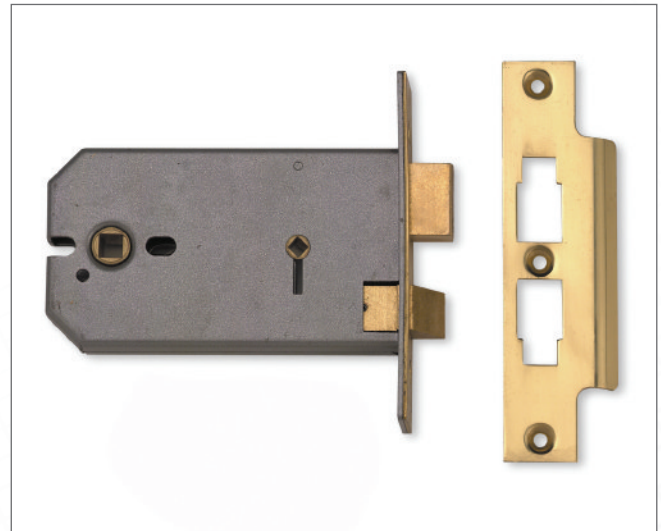
- Deadbolt locked or unlocked by separate turn from inside, or by separate emergency release from outside
- Latch bolt withdrawn by knob or sprung lever handle from either side
- Two way action, suitable for knobs or sprung lever handles (not suitable for unsprung lever handles)
- Pierced to accept bolt through furniture

Specification:

| | |
|----------------|---|
| Reference | 2026 |
| Case Size | 124mm (5") or 149mm (6") |
| Backset | 38mm or 51mm |
| Case | Steel, silver powder coat |
| Forend | Stainless steel or brass |
| Striking Plate | Finished to match forend |
| Deadbolt | Brass |
| Latch Bolt | Brass, reversible |
| Follower | 8mm square (Two way action) & 5mm bathroom turn follower |
| Rebate Kit | 2939 (13mm, 19mm or 25mm) |

Features:

- Reversible latch bolt
- Available with square forend and striking plate



Finishes:

- SC - Satin Chrome finish
- PL - Polished Brass finish

Standards:

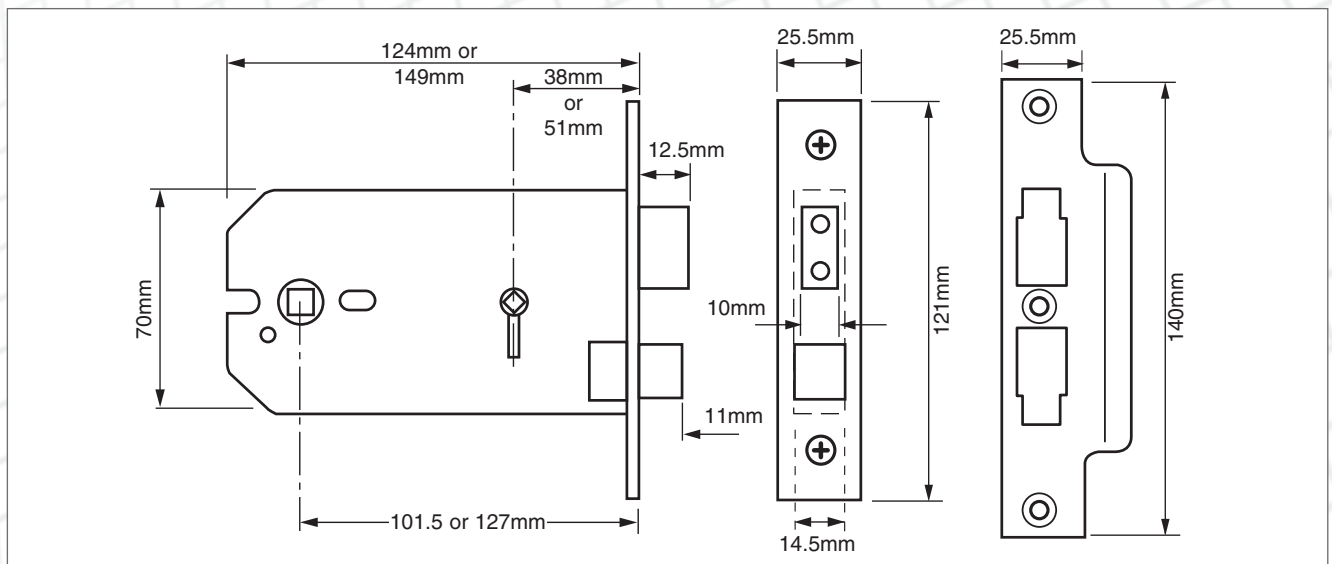


- EN 1634-1 assessed for use on 60 minutes timber fire doors

Ordering Code Example:

J 2026 - PL - 6.00

(Boxed - Product Code - Finish - Case Size)



2J Bathroom Locks and Latches