

2677

Mortice Latch

Application:

- For timber doors hinged on the left or right and requiring lever handle operation

Operation:

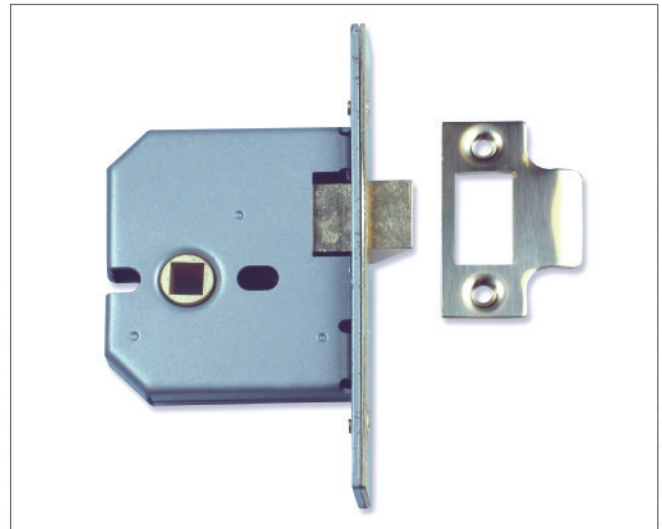
- Latch bolt withdrawn by sprung lever handle from either side
- Reversible latch bolt
- Pierced to accept bolt through furniture

Specification:

Reference	2677
Case Size	65mm (2") or 77.5mm (3")
Backset	44mm or 57mm
Case	Steel, silver powder coat
Forend	Stainless steel or brass
Striking Plate	Finished to match forend
Deadbolt	n/a
Latch Bolt	Brass, easily reversible
Follower	8mm square
Rebate Kit	2992 (13mm, 19mm or 25mm)
Keying Groups	None

Features:

- Reversible latch bolt
- Available with square forend and striking plate



Finishes:

- SC - Satin Chrome finish
- PL - Polished Brass finish

Standards

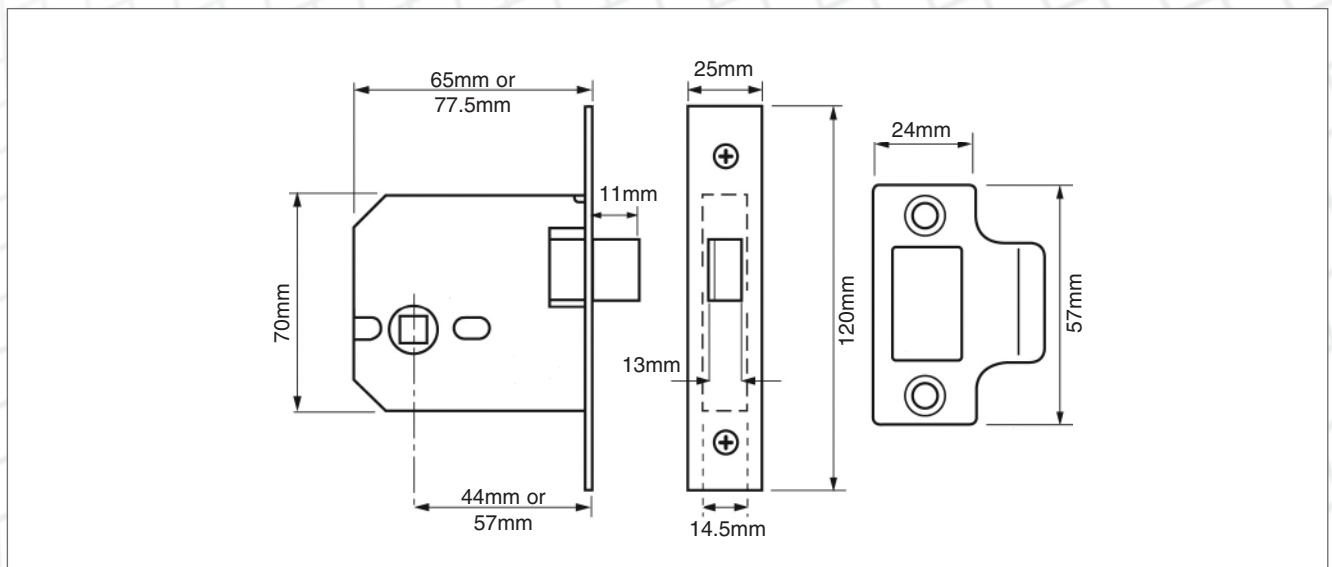


- EN 1634-1 assessed for use on 60 minutes timber fire doors

Ordering Code Example:

J 2677 - PL - 3.00

(Boxed - Product Code - Finish - Case Size)



2J Bathroom Locks and Latches