

Horizontal Mortise Latch

26773

Application:

- For timber doors hinged on the left or right

Operation:

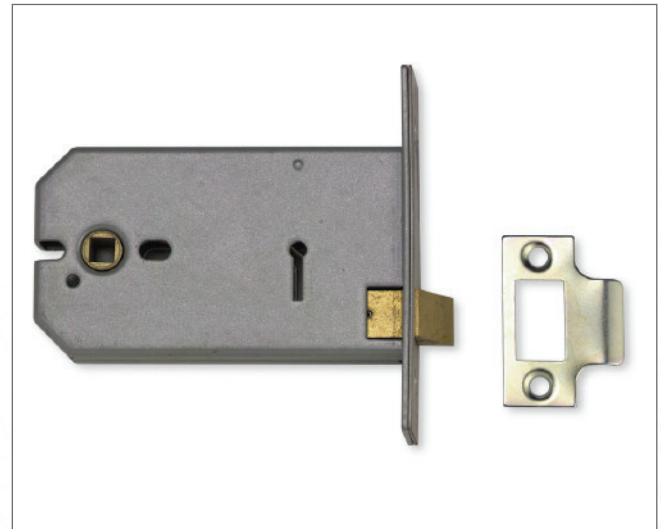
- Latch bolt withdrawn by knob or sprung lever handle from either side
- Reversible latch bolt
- Two way action for knobs or sprung lever handles
- Pierced to accept bolt through furniture
- Not suitable for unsprung lever handles

Specification:

Reference	26773
Case Size	124 (5") or 149mm (6")
Backset	101.5mm or 127mm
Case	Steel, silver powder coat
Forend	Stainless steel or brass
Striking Plate	Finished to match forend
Deadbolt	n/a
Latch Bolt	Brass, reversible
Follower	8mm square
Rebate Kit	2904 (13mm, 19mm or 25mm)

Features:

- Reversible latch bolt
- Available with square forend and locking plate



Finishes:

- SC - Satin Chrome finish
- PL - Polished Brass finish

Standards:

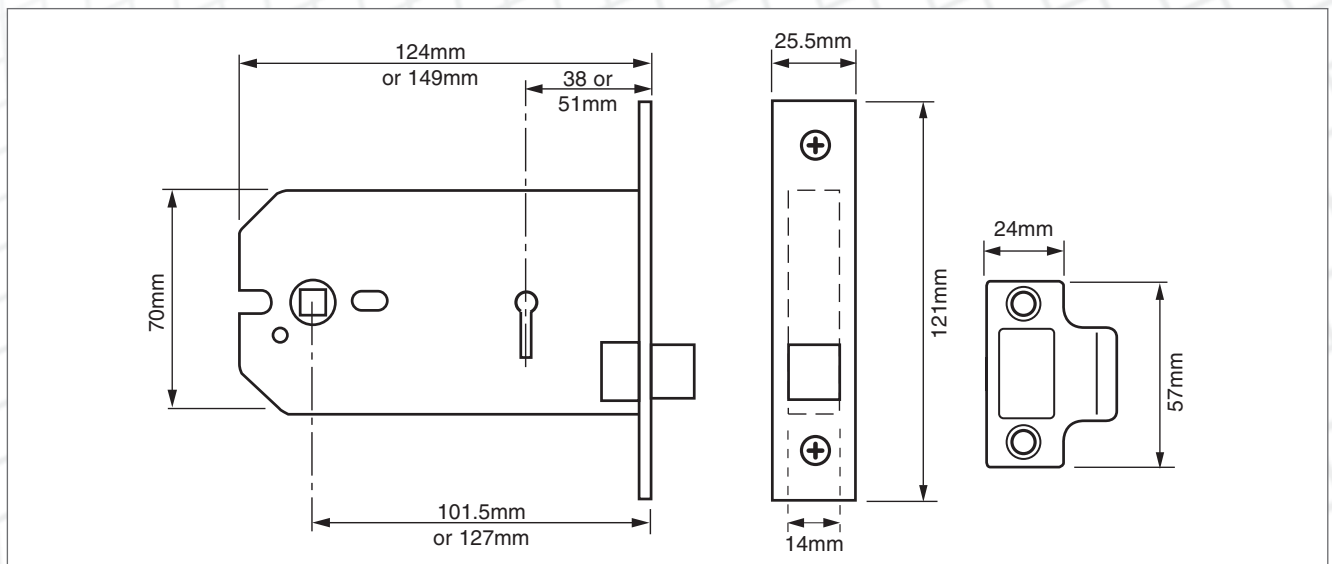


- EN 1634-1 assessed for use on 60 minutes timber fire doors

Ordering Code Example:

J 26773 - PL - 6.00

(Boxed - Product Code - Finish - Case Size)



2J Bathroom Locks and Latches