

4591

Paddle Handle



BS EN 179:2008
Classification Code 37601342BA/O

The Adams Rite 4591 paddle Handle is designed for simple push or pull operation as an alternative to a lever handle. For use with the 4700/4900 series deadlatch (except 4750) and the MS+1890 Latch/Deadlock.



Key Benefits

- Suitable for use on aluminium and steel doors.
- Dogging comes as standard on all versions.

- The 4591, when used on the 4710/4910 and 4720/4920 series Deadlatch and used in conjunction with the 8461 Ramp Jaw Strikes or the 7108 and 7128 Electric Strikes, conforms to BS EN 179:2008 EC certificate of conformity number 1121-CPD-ABB013.

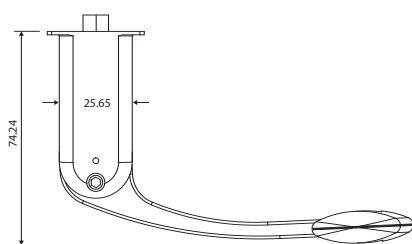
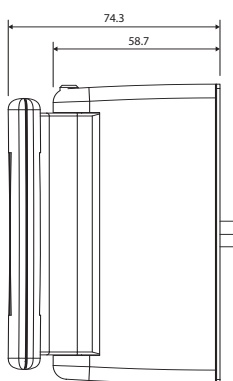
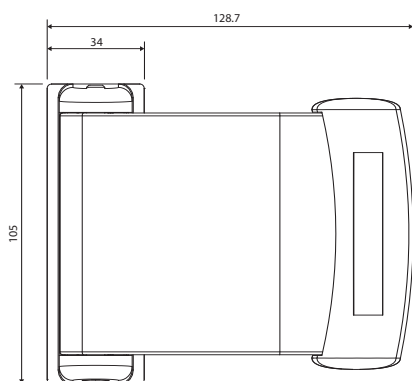
Standards

In accordance with BS EN 179: 2008 this product is designed to be used in emergency situations where people are familiar with the emergency exit and its hardware and therefore a panic situation is unlikely to develop. Where panic situations are foreseen, reference should be made to the Adams Rite 900 Series panic exit device range.

Related Hardware

MS®+1890 Latch/Deadlock ~ 8461 Ramp Jaw Strike ~ 4710/4910 Series Deadlatches
~ 4720ANSI/4920ANSI Series Deadlatches

Dimensions



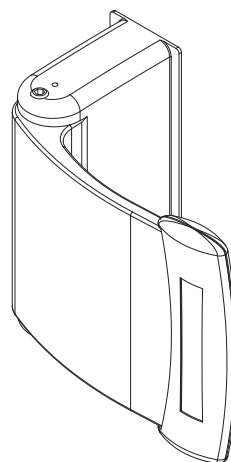
Shown at rest. Paddle travel: 50.8mm.

Specifications

Escutcheon:	105mm x 34mm x 58.7mm (width of base flange). Zinc Alloy, Black finish.
Paddle:	85mm x 125mm. Maximum projection off face of door: 74.24mm. Extruded Aluminium, available in Satin Anodised, Dark Bronze, Black.
Spindle:	6.35mm (1/4") on the diamond, heat treated. Interlocks with cam plug. Standard spindle lengths to suit 44.45mm (1 3/4") door thickness.
Operation:	Four modes: Push to Left, Push to Right, Pull to Left and Pull to Right.

Standards

In accordance with **BS EN 179: 1998+A1: 2001** this product is designed to be used in emergency situations where people are familiar with the emergency exit and its hardware and therefore a panic situation is unlikely to develop. Where panic situations are foreseen, reference should be made to the Adams Rite 900 Series panic exit device range.



Ordering Codes

4591-01-01-628	Pull To Left Paddle Handle SAA Finish, c/w Cam Plug, 16mm spindle length for use with 4700/4900 Series
4591-11-00-628	Pull To Left Paddle Handle SAA Finish, 22mm spindle length for use with MS [®] +1890 Series
4591-03-01-628	Pull To Right Paddle Handle SAA Finish, c/w Cam Plug, 16mm spindle length for use with 4700/4900 Series
4591-13-00-628	Pull To Right Paddle Handle SAA Finish, 22mm spindle length for use with MS [®] +1890 Series
4591-02-01-628	Push To Left Paddle Handle SAA Finish, c/w Cam Plug, 16mm spindle length for use with 4700/4900 Series
4591-12-00-628	Push To Left Paddle Handle SAA Finish, 22mm spindle length for use with MS [®] +1890 Series
4591-04-01-628	Push To Right Paddle Handle SAA Finish, c/w Cam Plug, 16mm spindle length for use with 4700/4900 Series
4591-14-00-628	Push To Right Paddle Handle SAA Finish, 22mm spindle length for use with MS [®] +1890 Series
4590-00-628	Mounting Plate For 4591 Paddle Handle SAA Finish, for use with timber door

Note: 628 denotes Satin Anodised Finish - substitute 628 with 313 for Bronze, 335 for Black.

The 4591 is not suitable for use with the 4750 Deadlatch.