

CODELOCK 2000 ELECTRONIC

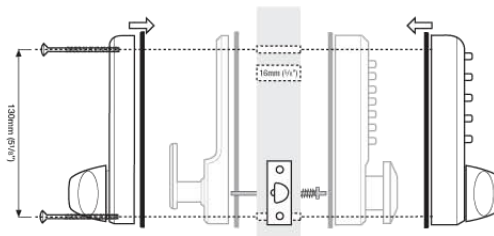


Codelocks CL2000 Range

CL2000 electronic lock provides multifunction access control for situations that do not justify a full size lever lock. The lock is easily fitted as a new installation or as a rapid retrofit when upgrading from basic single code mechanical locks.

Programme commands include:

- Set new User Code
 - Suspend and restore individual User Codes
 - Suspend, restore and delete all User Codes
 - Set one-time User Codes
 - Set and cancel Code Free mode
 - Change Master Code
 - Set or change Sub-Master Code
- Rapid Retrofit for basic single code mechanical codelocks
 - On door programming via Master Codes in seconds
 - Allows up to 80 User Codes, 4,5 or 6 digits long
 - Allows up to 10 one-time User Codes to be entered
 - Key override as standard
 - Over 80,000 operations from 2 x AA cells (supplied)
 - Can be fitted to square follower latch using adaptor
 - Locked ● /unlocked ●, LED Indicator option
 - Non handed
 - PVD weather resistant, low maintenance finish

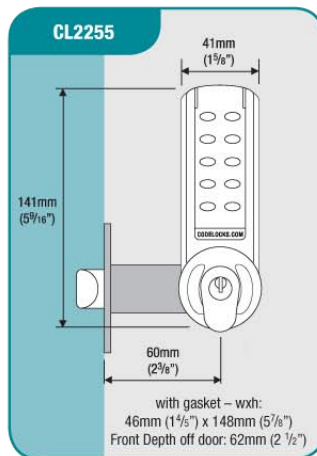


Rapid Retrofit

The CL2000 range has been designed with retrofit in mind. With the same fixing holes as the majority of basic mechanical digital locks, access control can be upgraded in a matter of minutes.

- Step 1 Remove existing mechanical digital lock
- Step 2 Drill single 16mm (5/8") hole for cable
- Step 3 Fit CL2000 on door using existing fixings

Retrofit completed!



CL2255 Tubular Mortise Latch

Outside knob will not turn unless a valid code is entered. Spring latch will automatically lock the door when closed