

Hercules

1K57

Description:

- Robust padlock
- Vertical sliding shackle which comes through the staple hole making direct attack impossible
- Available with either AVA 10 disc or 6 pin locking mechanism
- Key retention when the padlock is unlocked
- Hardened steel unsprung shackle
- Suitable for use with UNION 7B018 padbar
- B-1K57A supplied with 3 keys
- B-1K57C supplied with 2 keys
- Please specify number of keys required for keyed alike or master key product

Additional Features:

- Anti Drill
- Anti Saw
- Force Resistant
- Anti Pick
- Torque Resistant
- Corrosion Resistant

Specification:

- Shackle type - Concealed
- Shackle diameter - 16mm
- Shackle clearance - N/A
- Locking mechanism - Key

Key Blanks:

- B-K734-M AVA



Cut Keys:

- B-1K12-STD AVA
- B-CYLS 6 pin

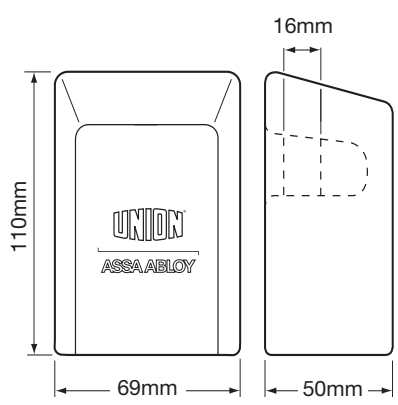
Material:

- Hardened, forged Steel

Standards:



CEN Grading 6



Product Order Codes:

Product Code	Keying Group	Lock Type	Cylinder System	Sold Secured Rated
B-1K57A	Keyed to Differ	Concealed Shackle	AVA	Gold
BP-1K57A-0K	Keyed Alike	Concealed Shackle	AVA	Gold
BM-1K57A	Master Key	Concealed Shackle	AVA	Gold
B-1K57A-050-3K	Cylinder and Keys only - Keyed to Differ	Concealed Shackle	AVA	
BP-1K57A-050-0K	Cylinder only - Keyed Alike	Concealed Shackle	AVA	
B-1K57C	Keyed to Differ	Concealed Shackle	6 Pin	Gold
BP-1K57C-0K	Keyed Alike	Concealed Shackle	6 Pin	Gold
B-1K57CS-050-2K	Cylinder and Keys only - Keyed to Differ	Concealed Shackle	6 Pin	
BP-1K57C-050-0K	Cylinder only - Keyed Alike	Concealed Shackle	6 Pin	