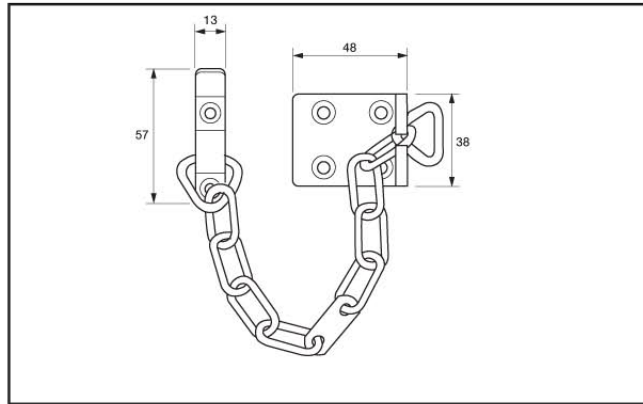




## WS6 Door Chain

TRADE  
PACKS  
AVAILABLE



- Simple to install and easy to use
- Helps to hold the door in the slightly open position, restraining against a force attack
- Helps you to identify a caller before the door is fully released



Prod Code	Finish	Pack
V-WS6-CH	Chrome	1 in pack
V-WS6-EB	Brass	1 in pack
V-WS6-SC	Satin Chrome	1 in pack
<b>B-WS6-20-EB</b>	<b>Brass</b>	<b>Pack of 20</b>
<b>B-WS6-20-SC</b>	<b>Satin Chrome</b>	<b>Pack of 20</b>