



...getting a smart handle on access control

Lever furniture with integral digital keypad providing simple, effective access control.

Easy and convenient

For simple, effective key-less locking/unlocking of interior doors in all light commercial and residential environments where the convenience of access control is the main priority. Codehandle is the ideal solution for most restricted access areas, private offices, storerooms, cupboards, etc.

Attractive design and easy to fit

In aesthetic environments Codehandle is a more attractive, compact option to bulky keypads. Further, it is so easy to fit - no wires, cables, drilling or special fitting is required.

Features and Functions

- 9 user codes and 1 master code – can be changed unlimitedly
- 2no. CR2, 3V lithium batteries provide approx. 100,000 operations
- Entering an incorrect code 5 times blocks handle for 3 minutes
- Manual or automatic locking
- Low battery indicator when 500 operations remain
- Visual and acoustic feedback

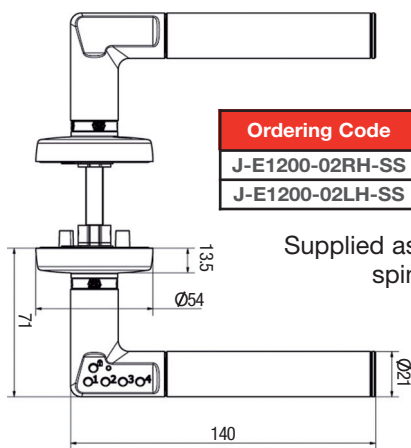
Finish

Satin stainless steel with satin chrome trim



Standards

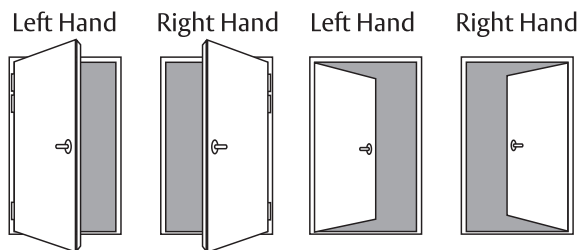
EN 1906
 EN 55022 Class B
 EN 61000-4-2, 4-3, 4-8; EN 61000-6-2, 6-3
 Included in a successful fire test to EN 1634-1



Ordering Code	Description
J-E1200-02RH-SS	Codehandle set - right hand
J-E1200-02LH-SS	Codehandle set - left hand

Supplied as lever handle set c/w roses, spindle, fixings and instructions

Door viewed from Codehandle side



Door thicknesses 42-80mm
 Spacers are available for door thicknesses less than 42mm

e-locking packs also available - see over page

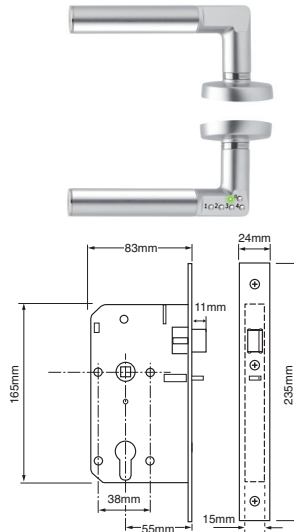
IMPORTANT.

To facilitate mechanical override, UNION Codehandle must be used with a DIN standard lock with cylinder to latch functionality e.g. UNION 2C25 Nightlatch or UNION 2C21 Sashlock

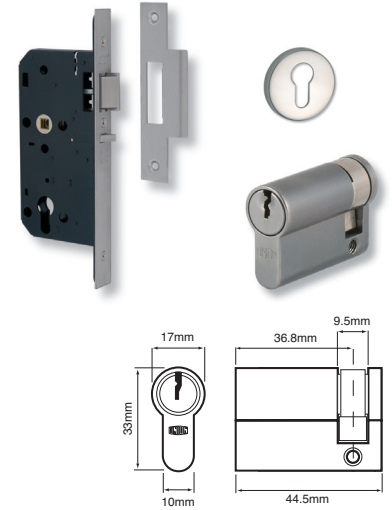
UNION **CODE**HANDLE e-locking packs (with or without cylinder)

	Ordering Code	Description
c/w cylinder	J-E1225S02RH-SS	1 set J-E1200-02RH-SS Codehandle, RH
		1no. JL2C25S-SS55 Nightlatch
		1no. J-1000EESS Euro Escutcheon
		1no. J2X20-SC-B EP Single Euro Cylinder
c/w cylinder	J-E1225S02LH-SS	1 set J-E1200-02LH-SS Codehandle, LH
		1no. JL2C25S-SS55 Nightlatch
		1no. J-1000EESS Euro Escutcheon
		1no. J2X20-SC-B EP Single Euro Cylinder
w/o cylinder	JLE1225S02RH-SS	1 set J-E1200-02RH-SS Codehandle, RH
		1no. JL2C25S-SS55 Nightlatch
		1no. J-1000EESS Euro Escutcheon
		1no. J2X20-SC-B EP Single Euro Cylinder
w/o cylinder	JLE1225S02LH-SS	1 set J-E1200-02LH-SS Codehandle, LH
		1no. JL2C25S-SS55 Nightlatch
		1no. J-1000EESS Euro Escutcheon
		1no. J-1000EESS Euro Escutcheon

e-locking Nightlatch packs (square forends)



UNION JL2C25

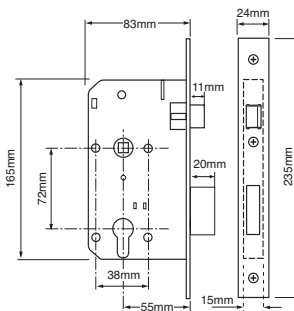


UNION J2x20-SC-B EP

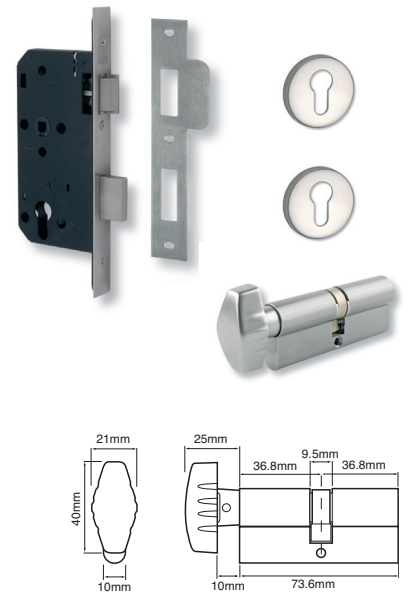
	Ordering Code	Description
c/w cylinder	J-E1221S02RH-SS	1 set J-E1200-02RH-SS Codehandle, RH
		1no. JL2C21S-SS55 Sashlock
		2no. J-1000EESS Euro Escutcheon
		1no. J2X28-SC-BB EP Key & Turn Cylinder
c/w cylinder	J-E1221S02LH-SS	1 set J-E1200-02LH-SS Codehandle, LH
		1no. JL2C21S-SS55 Sashlock
		2no. J-1000EESS Euro Escutcheon
		1no. J2X28-SC-BB EP Key & Turn Cylinder
w/o cylinder	JLE1221S02RH-SS	1 set J-E1200-02RH-SS Codehandle, RH
		1no. JL2C21S-SS55 Sashlock
		2no. J-1000EESS Euro Escutcheon
		1no. J2X28-SC-BB EP Key & Turn Cylinder
w/o cylinder	JLE1221S02LH-SS	1 set J-E1200-02LH-SS Codehandle, LH
		1no. JL2C21S-SS55 Sashlock
		2no. J-1000EESS Euro Escutcheon
		2no. J-1000EESS Euro Escutcheon

e-locking Sashlock packs (square forends)

JL2C25 and JL2C21 with round forends are also available in e-locking packs. Please contact Technical Assistance for details.



UNION JL2C21



UNION J2x28-SC-BB EP

The distinguished **UNION** brand provides an extensive range of locks and hardware for domestic and commercial applications.

UNION takes pride in its heritage and experience, and is committed to innovative design principles and continual product development.

UNION products are designed by highly skilled and experienced project teams working at the forefront in quality and performance.

UNION Architectural Hardware

School Street, Willenhall
WV13 3PW United Kingdom

Technical Assistance - UK 0845 22 32 124
www.uniononline.co.uk

Outside UK +441902 364107
www.unionme.co.uk



Your local **CODE**HANDLE distributor